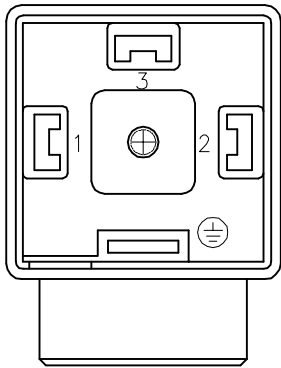
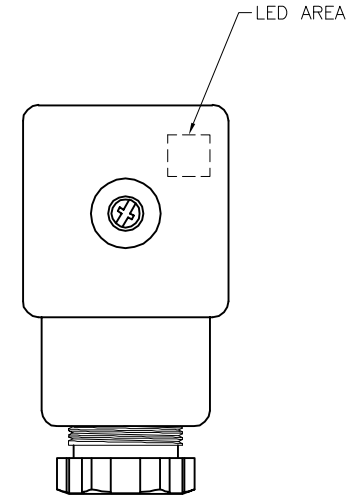
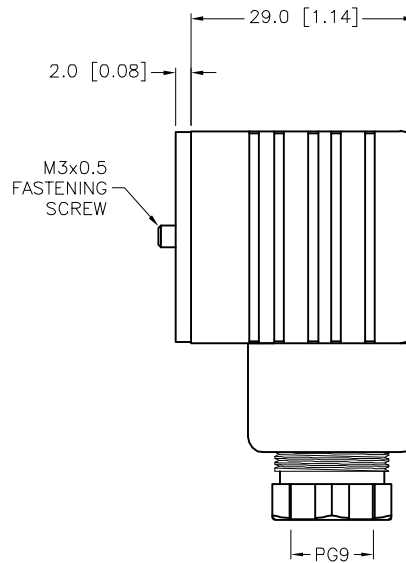
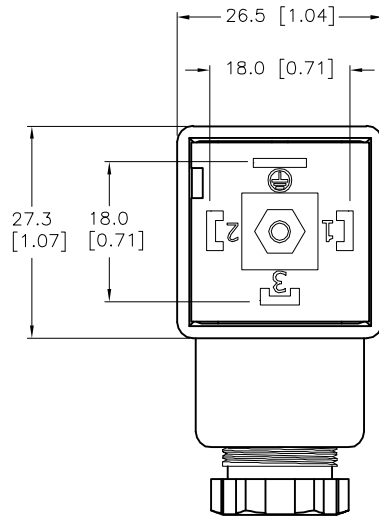


VALVE END VIEW



SPECIFICATIONS


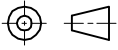
HOUSING/COLOR	NYLON/TRANSLUCENT
RATED CURRENT	10.0 A
RATED VOLTAGE	6-48 AC/DC
GASKET	NITRILE
CONTACT MATERIAL/PLATING	BRASS/NICKEL
TERMINAL	SCREW TERMINALS, CONDUCTORS TO 14 AWG
CABLE GLAND SIZE	PG 9
CABLE DIAMETER RANGE	ø6.0mm to ø8.0mm
TEMPERATURE	-25°C TO +90°C (-13°F TO +194°F)
PROTECTION CLASS	MEETS NEMA 4 AND IEC IP65



NOTES:

1. THE CONNECTOR FACE OF THIS CONNECTOR CAN BE RECEIVED IN 90 DEGREE INCREMENTS.

SOURCE DRAWING - FOR REFERENCE ONLY

RELATED DOCUMENTS		3RD ANGLE PROJECTION		THIS DRAWING IS CONFIDENTIAL AND THE PROPERTY OF TURCK INC. USE OF THIS DOCUMENT WITHOUT WRITTEN PERMISSION IS PROHIBITED.		 <p>3000 CAMPUS DRIVE MINNEAPOLIS, MN 55441 1-800-544-7769 (763) 553-7300 (763) 553-0708 fax www.turck.us</p>	
1.			DRFT	RDS	DATE	04/07/14	DESCRIPTION VAS 3-AW/LED/6-48VAC/DC
2.			APVD	M.A.	SCALE	1=1.0	
3.		ALL DIMENSIONS DISPLAYED ON THIS DRAWING ARE FOR REFERENCE ONLY CONTACT TURCK FOR MORE INFORMATION	UNIT OF MEASUREMENT		IDENTIFICATION NO.		REV
4.			MILLIMETER [INCH]		U2-23217		C
MATERIAL		SEE SPECIFICATIONS		DO NOT SCALE THIS DRAWING		FILE: U2-23217	
FINISH		SEE SPECIFICATIONS				SHEET 1 OF 1	

C	UPDATE PLUG BODY	RDS	01/26/21	76445
REV	DESCRIPTION	BY	DATE	ECO NO.